

Census of Population and Housing

Directory of Census Statistics



Contents



Introduction	1
Reference Publications	2
Information Papers	3-4
Statistical and Thematic Publications	4-7
Geographic Products	8
Key Census Products	9-11
Consultancy Services	12-13
Census Data Items	14-17
1996 Census Geographic Structure	18
Uses of Census Data	19-21
Content of Censuses 1911 to 1996	22-25
Common Census Terms	26-27
For Further Information About Census and Other ABS Products and Services	28
How to Order	29
ABS Contacts	30

October 1998

W. McLennan
Australian Statistician

Introduction



The Census

The Census of Population and Housing is the largest statistical collection undertaken by the Australian Bureau of Statistics (ABS).

The key objectives of the census are to measure the number and key characteristics of all people in Australia, and the dwellings in which they live, on census night.

The wealth of information collected through the census is a valuable asset for Australian society.

Census information is used to support the planning, administration, policy development and evaluation activities of governments, businesses, researchers and many other users.

Census information can be obtained either as standard products and services, or as customised services tailored to your needs.

This Directory

This Directory is a reference to the range of products and services developed from the information collected from the last census, held on 6 August 1996. It helps you to find census information to meet your particular needs.

For information on the 1991 Census range of products and services, refer to the earlier edition of this Directory or contact one of the ABS State offices listed on the back page.

Snapshot of Australia

Information contained in most census products is based on 'place of enumeration'. This means the statistics relate to where people were on census night, 6 August 1996. People were also asked where they usually lived, and these data are used to provide 'usual residence' based statistics.

For explanations of common terms included in this Directory, see the section Common Census Terms, or refer to the *Census Dictionary* (ABS Catalogue No. 2901.0) or ask an ABS Consultant for advice.

Consultancy Services

A wide range of census information is available from the ABS. Many census products and services are available 'off-the-shelf' as publications, electronic products or on-demand reports. If the census information you require is not available as a standard product or service, then ABS Consultancy Services can help you with customised services to suit your needs.

The ABS Consultancy Service provides expert advice and accurate information to meet a variety of statistical needs. They can advise you on whether there is 'off-the shelf' information available to suit your purpose, or whether your data needs will require a tailored solution.

ABS Consultants are experts in putting information together, using the extensive range of data available. Consultants can also provide a detailed statistical picture to meet your policy, planning, research and commercial analysis needs.

There is an ABS Consultancy Service located in each State and Territory. Contact details are listed on the back page of this Directory.

ABS Library Extension Program

The ABS is committed to providing access to census and other ABS statistics, to all members of society, through the Australian library network. A collection of standard census publications are held by participating libraries.

In 1998, 528 libraries are taking part in the ABS Library Extension Program (LEP). The ABS provides the Australian National Library, State Libraries and most university libraries with all ABS standard published output, including census publications.

Public and TAFE libraries receive a selection of major ABS publications, including most standard census publications.

In addition to census publications, eligible libraries will hold detailed census data on a specially developed CD-ROM product, CLIB96.

CLIB96 contains:

- Basic Community Profile - from Collection District to all of Australia
- Time Series Profile
- Usual Residents Profile



CLIB96

- Expanded Community Profile
- Working Population Profile
- Indigenous Profile
- Classification Counts
- 1996 Census Dictionary
- CPROFILE software
- On-line help

The ABS will also provide eligible libraries with Statistical Local Area maps, showing Collection District boundaries, for each library's own Statistical Division.

A list of LEP libraries is published on the ABS Statsite, <http://www.abs.gov.au>. You can also contact your local library and ask if they are a member of the ABS LEP.

ABS on the Internet

The ABS Statsite is located at <http://www.abs.gov.au>

The ABS is endeavouring through the use of technology to keep you, our valued clients, as up-to-date as possible on new developments and issues surrounding statistical information.

When you access the ABS Statsite, you will have direct exposure to: statistics; information about purchasing specific statistics; News of the ABS and of the Products and Services available; and corporate information about the ABS.

Two tables from the Basic Community Profile are also available for every Statistical Local Area in Australia free of charge via the internet. This information is made available to keep you informed and assist you in your decision making.

Reference Publications

Information about the concepts, terms and the geographic areas used for the 1996 Census of Population and Housing are contained in the following census reference publications.

Census Dictionary

Cat. No.:	2901.0 Hard Copy and 2901.0.15.001 Electronic
Media:	Printed Publication and Electronic
Price:	Printed Publication or Electronic \$29

The *Census Dictionary* provides a glossary of census terms and a directory of all the classifications used in the Census.

The *Census Dictionary* is available as a printed publication or on floppy disk. The electronic version of the *Census Dictionary* is in Windows Help file format.

Statistical Geography

Cat. No.:	(Vol.1) 1216.0 (Vol.2) 2905.0 (Vol.3) 2909.0
Media:	Printed Publication and Electronic
Price:	(Vol.1) \$30 (Vol.2) \$22 (Vol.3) \$19.50

The three volumes of *Statistical Geography* provide information about the names and codes of the geographic areas used in the 1996 Census.

Statistical Geography: Volume 1 – Australian Standard Geographical Classification (ASGC), 1996 Census Edition

Volume 1 provides information about the ASGC and changes to geographic areas between each census.

It contains an explanation of the hierarchical relationship between the geographic areas covered by the ASGC.

The following geographic areas are covered in this publication:

<i>Collection District</i>	CD
<i>Statistical Local Area</i>	SLA
<i>Local Government Area</i>	LGA
<i>Statistical Subdivision</i>	SSD
<i>Statistical Division</i>	SD
<i>Statistical District</i>	SDIST
<i>Statistical Region Sector</i>	SRS
<i>Statistical Region</i>	SR
<i>Major Statistical Region</i>	MSR
<i>Section of State</i>	SOS
<i>State/Territory</i>	STE

Statistical Geography: Volume 2 – Census Geographic Areas, Australia

Volume 2 provides information on standard census output areas not covered by the ASGC.

Many of the areas described in this volume are derived by aggregating the Collection Districts (CDs) that best fit the original area. These CD-derived areas do not necessarily match exactly with



ABS Statsite
<http://www.abs.gov.au>

the original area. An example of this is CD-derived Commonwealth Electoral Divisions. These areas are constructed using the CDs that best match the electorates defined by the Australian Electoral Commission.

The areas covered by this volume are:

- Postal Area;
- Commonwealth Electoral Division;
- State Electoral Division;
- Suburb (where applicable);
- Journey to Work Study Area;
- Aboriginal and Torres Strait Islander Commission Region;
- Indigenous Location (approximately 80+ Indigenous persons); and
- Indigenous Area (approximately 280+ Indigenous persons).

Statistical Geography: Volume 3 – Australian Standard Geographical Classification (ASGC) Urban Centres/Localities, 1996 Census Edition

Volume 3 provides information on the Urban Centres and Localities (UC/Ls) that are defined in accordance with the ASGC, using the person counts collected in the census.

Information Papers 

A series of fact sheets and evaluation papers have been produced about the 1996 Census of Population and Housing. The following information papers provide details about many aspects of the Census.

The major findings of the information papers are also published in the census newsletter, *Census Update*. For a free copy of *Census Update*, contact Census Marketing on 1800 813 939.

How Australia Takes a Census

Cat. No.:	2903.0
Media:	Printed Publication
Price:	\$10

How Australia Takes a Census provides information about the history of the census, the planning process behind the census and the way in which census data are collected, processed and published.

Census Working Papers

Media:	Printed Publication
Price:	Free

A series of working papers are produced to assess and report on various aspects of 1996 Census data quality. Several census topics are examined in detail, such as the impact of form design, collection procedures and data processing on data quality.

The following papers have already been released:

- 96/2 1996 Census Form Design Testing Program
- 96/3 Digital Geography Technical Information Paper
- 97/1 Homeless Enumeration Strategy

The following papers are expected to be produced:

- Labour force status;
- Housing;
- Indigenous Enumeration Strategy (Field Objective)
- Education;
- Income;
- Industry;
- Occupation; and
- Journey to work.

Census Fact Sheets

Media:	Printed Publication
Price:	Free

Census Fact Sheets are produced progressively and discuss issues that arise during and after the publication of census data.

Fact sheets on the following topics have been produced:

- **Fact Sheet 1**
- 1996 Census AGSC Structure
- **Fact Sheet 2**
- Number of 1996 Census geographic areas
- **Fact Sheet 3**
- Number of categories in 1996 Census hierarchical fields

- **Fact Sheet 4**
- Census Dwelling Counts
- **Fact Sheet 5**
- Difference between Census Counts and ERP figures
- **Fact Sheet 6**
- Changes to Variables 1991-1996
- **Fact Sheet 7**
- Income imputation
- **Fact Sheet 8**
- Confidentiality in Output
- **Fact Sheet 9**
- Usual Residence Indicator
- **Fact Sheet 10**
- Non-response rates
- **Fact Sheet 11**
- Changes to Geographic Areas between censuses
- **Fact Sheet 12**
- 1996 Census Postal Area information
- **Fact Sheet 13**
- Postal Areas allocation alternatives
- **Fact Sheet 14**
- Journey to Work
- **Fact Sheet 15**
- Overseas Visitors
- **Fact Sheet 16**
- Labour Force Status

- **Fact Sheet 17**
- 1996 Miscellaneous Collection Districts
 - **Fact Sheet 18**
- Age Left School
- Census Fact Sheets can be obtained from ABS offices.

Census Update

Media:	Newsletter
Price:	Free

Census Update provides information about census products, services and related topics.

Articles on products and services including case studies of census data usage are provided.

Information about popular electronic products are also highlighted in this informative census newsletter.

The major findings of the information papers are also published in *Census Update*. For a free copy of *Census Update*, contact Census Marketing on 1800 813 939.

Estimated Resident Population Publications

The Estimated Resident Population (ERP) is the official population figure which measures the number of people usually living in an area. The ERP is calculated by applying the following adjustments to the *usual residence* census counts:

- include Australian residents who were temporarily absent overseas on census night;
- adjust the census counts for undercounting using results of the Post Enumeration Survey; and
- backcast the resulting estimates which relate to 6 August 1996 to 30 June 1996 using births, deaths and migration data.

Several publications containing ERP data, based on 1996 Census counts are available.

Australian Demographic Statistics - 1996 Census Edition, December Quarter 1996

Cat. No.:	3101.0
Media:	Printed Publication (Quarterly)
Price:	Dec. 1996 Census Edition: \$16.50 March 1998: \$19.50

The 1996 Census Edition provides preliminary State and Territory Estimated Resident Population (ERP) by five-year age group and by sex based on the 1996 Census. The later quarterly publications contain 'final' ERP data.

Statistical and Thematic Publications

Census publications provide easily accessible basic census information. Statistics from the 1996 Census are available in three types of publications:

- statistical publications;
- thematic publications; and
- state-specific publications.

Statistical publications contain mainly statistical tables with a minimum of descriptive commentary about the statistics provided. These publications

are available for each State or Territory and Australia. Thematic Publications present a series of data sets on a particular theme, with a substantial amount of analysis and commentary on the data. A number of state-specific publications contain census information of interest to a particular State.

A time series for population at the State and Territory level along with estimates of resident households and data for births, deaths, infant deaths, marriages, divorces, and interstate and overseas movements are also included.

Regional Population Growth – 1996 Census Edition, June 1991 and June 1996

Cat. No.:	3218.0
Media:	Printed Publication and Electronic (Annual)
Price:	\$19.00 (June 1991/June 1996 edition)

The 1996 edition provides preliminary Estimated Resident Population (ERP) person totals in five year age groups at the Statistical Local Area (SLA) level for all of Australia based on the 1996 Census. Estimates of the population at 30 June 1991 for the same geographic areas and growth between 1991 and 1996 are also included, highlighting SLAs with the highest and lowest total population change.

Disaggregations of the June 1991 SLA estimates by age and sex are available on disk.

Experimental Estimates of the Aboriginal and Torres Strait Islander Population

Cat. No.:	3230.0
Media:	Printed Publication
Price:	\$17.00

This release contains experimental estimates of the Indigenous population of States and Territories of Australia

from 30 June 1986 to 30 June 1996. The publication also includes age and sex details for selected years, sex ratios, median ages and comparisons between the Indigenous and the total population. Indigenous population estimates are provided by the Aboriginal and Torres Strait Islander Commission Region.

A description of the method used in deriving the estimates is included.

Census Characteristics Publications

Statistics in these publications are based on the population as enumerated on census night.

Selected Social and Housing Characteristics for Statistical Local Areas

Cat. No.:	2015.0 - 2015.8
Media:	Printed Publication
Price:	Various, ranging from \$22.00 - \$27.00

This set of publications contain selected social and housing data from the 1991 and 1996 Censuses. There is a separate publication for each State and Territory and one for the whole of Australia.

The State/Territory publications contain 1996 Census data for each Statistical Local Area. Both 1991 and 1996 Census data are provided for Statistical Subdivisions, and Statistical Divisions. These publications also include tables showing SLAs ranked by selected characteristics (for example, total persons or median personal income); the social and housing tables from



the Basic Community Profile for the State/Territory, and reference maps.

The Australian publication provides similar data to the State/Territory publications but at the Statistical Subdivision level. Both 1991 and 1996 Census data are provided for Statistical Divisions and at State/Territory level for comparison. This publication includes the demographic, social and housing tables from the Basic Community Profile for Australia.

Data for Christmas Island and Cocos (Keeling) Islands are included in the Western Australia publication and Jervis Bay is included in the New South Wales publication.

Selected Characteristics for Urban Centres and Localities

Cat. No.:	2016.0 - 2016.7
Media:	Printed Publication
Price:	Various, ranging from \$19.00- \$26.00

This set of publications contain selected person, household, labour force and dwelling data from the 1991 and 1996 Censuses.



The States and NT publications provide 1991 and 1996 Census data for Urban Centres and Localities, and Sections of State. Data for the ACT are included in the New South Wales publication, and Christmas and Cocos (Keeling) Islands are included in the Western Australia publication.

The publication for the whole of Australia presents the 200 Urban Centres with the highest values for a selected number of data items.

Selected Family and Labour Force Characteristics for Statistical Local Areas

Cat. No.:	2017.0 - 2017.8
Media:	Printed Publication
Price:	Various, ranging from \$23.00-\$29.00



These publications contain selected household, family and labour force data from the 1991 and 1996 Censuses. There is a separate publication for each State and Territory and one for the whole of Australia.

The State/Territory publications contain 1996 Census data for each Statistical Local Area (SLA). Both 1991 and 1996 Census data are provided for Statistical Subdivisions, and Statistical Divisions. These publications also include tables showing SLAs ranked by selected characteristics (for example, unemployment rate); the family

household and labour force tables from the Basic Community Profile for the State/Territory; and reference maps.

The publication for Australia provides similar data to the State/Territory publications but at the Statistical Subdivision level. Both 1991 and 1996 Census data are provided for Statistical Divisions and State/Territories for comparison.

Data for Christmas Island and Cocos (Keeling) Islands are included in the Western Australia publication and Jervis Bay is included in the New South Wales publication.

Population Distribution, Indigenous Australians

Cat. No.:	4705.0
Media:	Printed Publication
Price:	\$27.00

This publication contains 1996 Census counts of the Indigenous population for Indigenous locations (areas which include 80 Indigenous persons or more), Indigenous Areas (areas which include 280 Indigenous persons or more), ATSI Regions, State/Territory and Australia level.

A table of preliminary 1996 Estimated Resident Indigenous population by State and Territory is also included, as well as data for 1991.



Aboriginal and Torres Strait Islander People

Cat. No.:	2034.0 - 2034.8
Media:	Printed Publication
Price:	\$25.00 - \$28.00



This series of publications includes information on Indigenous people on topics such as population growth and distribution, families and housing, education, employment, income and language. There is a separate publication for each State/Territory and one for the whole of Australia.

The Australian publication contains selected data from previous censuses for comparison with 1996 Census data. Some data for State/Territory and ATSI Regions are also included in this publication.

Thematic Publications

Social Atlas Series

Cat. No.:	2030.1 - 2030.8
Media:	Printed Publication
Price:	\$65 - Sydney and Melbourne \$45 - Remainder of Capital Cities \$360 - Complete set of Atlases

The *Social Atlas Series* feature colour maps depicting the key social, demographic and economic characteristics of each capital city.

Each *Social Atlas* has a set of maps in common with others in the series covering population, ethnicity, education, families, income, labour force and dwellings, together with maps that depict the unique attributes pertaining to a particular capital city.

The maps are produced using Collection Districts (CDs) as the smallest mapping unit. A set of overlays for CD-derived Postal Areas and Statistical Local Areas are also available.

Australia in Profile – A Regional Analysis

Cat. No.:	2032.0
Media:	Printed Publication
Price:	\$35.00

Australia in Profile - A Regional Analysis provides commentary and data on a number of key social indicators from the 1996 Census with the focus on regional distribution and comparisons.

The publication covers topics such as cultural diversity, living arrangements, education, work and housing. A wealth of information is provided in easy to use formats such as maps, graphs and ranking tables which allow meaningful comparisons to be made between areas on a set of variables.

Population Growth and Distribution

Cat. No.:	2035.0
Media:	Printed Publication
Price:	\$28.00

Population Growth and Distribution provides information about the demographic changes that

have taken place in Australia between 1991 and 1996.

The growth, location and mobility of the population at national, state and regional levels is covered. A major focus is on the characteristics and volume of interstate and intrastate movements between 1991 and 1996. The effect of these movements on population growth in selected regions of Australia is examined.

State Specific Publications

Topic Cameo Series (South Australia)

Media:	Hard Copy
Price:	Free

The Topic Cameo Series (South Australia) is a series of short articles released progressively on a variety of topics about South Australia.

A number of topics are covered in this series, including articles on income, age distribution, birthplace, the labour force, religion and families.

Each individual paper provides an easy to understand commentary, tables of data and graphical presentations where applicable.

Selected Social and Housing Characteristics for Suburbs and Postal Areas – Western Australia

Cat. No.:	2029.5
Media:	Printed Publication
Price:	\$19.00

This publication provides the person counts and dwelling

characteristics for Western Australia, according to the geographic levels of Postcode and Suburb. These geographic levels are determined by aggregating Collection Districts that best fit these areas.

Tasmanian Suburbs

Cat. No.:	2026.6: Hobart Suburbs 2027.6: Burnie and Devonport Suburbs 2028.6: Launceston Suburbs
Media:	Printed Publication
Price:	\$21.00 (each)

This series of publications provides selected census characteristics at the suburb level for Hobart, Launceston and Burnie/Devonport.

Counts by Age and Sex for Selected Areas – Northern Territory

Cat. No.:	2018.7
Media:	Printed Publication
Price:	\$19.00

This publication provides counts by age and sex on the Indigenous and non-Indigenous population of the Northern Territory for selected areas. These areas include Indigenous communities.

Geographic Products



1996 Census Statistical Local Area Maps

Cat. No.:	2920.0
Media:	Hard Copy
Price:	Price on application

These maps show Statistical Local Areas (SLA) and the Collection Districts (CD) within each SLA.

A range of topographic features such as roads, major waterways, railway lines and stations, airports and landing strips, parks and reserves, significant physical features, and major cultural features such as schools, are included on each map.

The SLA maps are printed in colour on A3 sheets and most SLAs are displayed on one A3 sheet. The map scales vary between each SLA map. Some SLAs are too large to fit on a single A3 sheet, so these SLAs have been split over two or more A3 map sheets. There are approximately 2,800 map sheets in total.

SLA maps may be ordered through the ABS in two ways: as bound sets covering an entire State/Territory or the whole of Australia; or as ad hoc orders for smaller areas, including single SLAs. Ad hoc orders can be bound on request.

It is possible to order a combination of Statistical Local Area and Collection District Maps.

1996 Census Collection District Maps

Cat. No.:	2920.0
Media:	Hard Copy
Price:	Price on application

These maps are based on the Collection District (CD) maps used by census collectors in the 1996 Census of Population and Housing. There are 34,422 CDs, and as some CDs require more than one map sheet, there are approximately 46,000 CD map sheets.

Each map shows the individual CD's boundary and the code for that CD. A range of topographic features, such as roads, bridges and bodies of water, and cadastral features, such as property boundaries, are also shown on each map. The 1996 Census CD Maps are printed in colour and are available in a combination of A3 and A4 sheets, depending on the size of the CD in question.

SLA maps may be ordered through the ABS in two ways: as bound sets covering an entire State/Territory or the whole of Australia; or as ad hoc orders for smaller areas, including single SLAs. Ad hoc orders can be bound on request.

It is possible to order a combination of Statistical Local Area and Collection District Maps.



Digital Boundaries

Cat. No.:	2923.0
Media:	Electronic
Price:	Price on application

Census boundaries are made available electronically as *Digital Boundaries*, from the smallest areas such as Collection Districts (CDs) and Statistical Local Areas (SLAs), to large areas such as States, Territories or the whole of Australia. Census specific areas such as Postal Areas, Suburbs and Commonwealth Electoral Divisions are also available.

Digital Boundaries are available in two levels of detail: reduced and shapes.

Reduced Boundaries have been prepared from "all points" boundaries and are designed for use in geographic information systems and desktop mapping packages. They are more accurate and contain greater detail than the equivalent "standard" boundaries from the 1991 Census.

Reduced Boundaries accurately overlay the 1996 ABS/Public Sector Mapping Agency Reduced Base Map.

Shapes Boundaries are suitable for use in new generation spreadsheet packages that have a mapping component in the software, for example, Excel 7. Shapes Boundaries allow for fast on screen display of maps. They are primarily intended for broad level thematic mapping. Shapes Boundaries are not designed for use with a base map. The Shapes Boundaries, in MapInfo format, are also available in *Census KeyData*.

Digital Boundaries are distributed on behalf of the ABS through licensed sellers who can supply the data in a large range of formats. A list of these is available from ABS Client Services.

Key Census Products

Community Profile Series

Cat. No.:	2020.0 - 2020.8
Media:	Hardcopy and Electronic
Price:	Varies according to profiles and areas selected

The *Community Profile Series* provides detailed census data for small areas in the form of tables of the key census characteristics of persons, families and dwellings. This series is available for Australian Standard Geographic Classification and Census Geographic areas. This series enables comparisons to be made between different areas of similar size on a number of social, economic and demographic variables and is an excellent tool for research, planning and analysis of particular areas or regions of interest.

Community Profiles are available in hard copy or electronic formats. The electronic *Community Profiles* are available in formats suitable for a range of spreadsheets and databases. Free manipulation software, CPROFILE, which operates in a Windows environment is supplied with the *Community Profiles* on electronic format.

Templates showing the tables which are available in each *Community Profile* are available from ABS Client Services. Contact details may be found at the end of this Directory.

The following profiles are available:

- **Basic Community Profile (BCP)** - This profile contains 32 tables of detailed data for all Australian Standard Geographic Classification areas from Collection District to all of Australia and for the Census Geographic areas of Postal Areas, Suburb and Commonwealth and State Electoral Divisions.
- **Time Series Community Profile (TCP)** - This profile contains comparable data from the 1986, 1991 and 1996 Censuses. The TCP is available for all Australian Standard Geographic Classification areas from Statistical Local Area to all of Australia.
- **Usual Residents Profile (URP)** - This profile contains 26 tables based on the usual residents of Statistical Local Areas. This is the only Community Profile based on place of usual residence. The URP is available for all Australian Standard Geographic Classification areas from Statistical Local Area to all of Australia and Postcode as reported.
- **Expanded Community Profile (ECP)** - This profile contains 41 tables comprising more detailed versions of some of the Basic Community Profile tables, plus new tables. The ECP is available for all Australian Standard Geographic Classification areas from Statistical Local Area to all of Australia

- **Working Population Profile (WPP)** - This profile contains 17 tables of labour force and related data on the characteristics of people who work in Statistical Local Areas within the journey to work study areas. The WPP provides information on the working populations of statistical local areas within the capital cities and other major urban areas.
- **Summary Indigenous Profile** This profile contains 3 tables of selected characteristics of Indigenous people at the Indigenous Location level (areas which include 80 Indigenous people or more), Indigenous Areas (areas which include 280 Indigenous people or more), ATSI Regions, and State/Territory.
- **Detailed Indigenous Profile** This profile contains 26 tables and is available for Indigenous Areas, ATSI Regions, and State/Territory.

Classification Counts

Cat. No.:	2022.0
Media:	Hardcopy and Electronic
Price:	Price on application

Classification Counts provide frequency counts for 1996 Census variables in complete classificatory detail, for every State and capital city. *Classification Counts* are cross-classified by sex where appropriate.

Classification Counts consist of a column for each State or capital city Statistical Division. This allows for comparisons of all States or all capital cities.

CDATA96

Cat. No.:	2019.0 - 2019.8
Media:	CD-ROM
Price:	Price on application

CDATA96 is a user-friendly CD-ROM product which provides a large volume of tabulated census data, digital boundaries and Base Map data. It includes software capable of selecting the data and producing tables, maps and graphs from the data selected. Information about a single Collection District (CD) right up to the whole of Australia can be viewed using this product. *CDATA96* allows the export of statistical data for use in other applications, and the import of other data in a variety of formats. State/Territory versions of this product and a version for the whole of Australia are available.

CDATA96 is an invaluable planning tool for any organisation as it provides the most up-to-date information available about Australia's population. It provides instant access to Australia's population, age, education, housing, income and transport.

CDATA96 contains base map data (topographic detail files) developed by the ABS using data sourced from the Public Sector Mapping Agencies.

The standard *CDATA96* product, base map, contains main roads, highways and rivers only. An optional Datapak containing Detailed Base Map data including streets, town centres, rivers and features such as post offices, police stations, airports, railway stations, national parks, schools, caravan parks, churches, hospitals etc is also available. These specific features have proven to be a

very useful asset to enhance decision making in relation to planning and development. Detailed Base Map data will enable clients to get the most out of *CDATA96* and will assist their organisation in improving client services, and market penetration. This map Datapak is only available to purchasers of *CDATA96*.

CDATA96 contains:

- 1996 Basic Community Profile – at Collection District level and above;
- Time Series Profile –1986, 1991 and 1996 Censuses at Statistical Local Area level;
- 1996 Census Digital Boundaries for ASGC and Census Geographic areas such as Suburbs and Postal Areas;
- 1996 Digital Base Map Data;
- Interface for other 1996 Community Profiles and Socio-Economic Indexes for Areas 96; and
- Full MapInfo licence

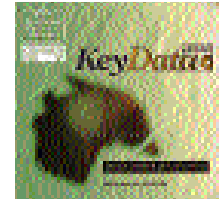
CDATA96 also contains a self-paced Computer Based Training (CBT) module to help clients gain the most benefit out of *CDATA96*.

Optional Add-On Datapaks

Other data are available as separate datapaks, individually priced, in formats suitable for direct import into *CDATA96*. These datapaks include Socio-Economic Indexes for Areas 96 (SEIFA), Detailed Base Map data and all other Community Profiles: Working Population, Usual Residence, Indigenous and Expanded. Price for these datapaks vary according to profiles and areas selected.

Census KeyData

Cat. No.:	2023.0
Media:	CD-ROM
Price:	Varies according to data selected



Census KeyData is a CD-ROM containing a large volume of tabulated Census data and Digital Boundary data which can be exported for use with industry standard software packages. *Census KeyData* has been designed to provide fast, easy access to the 1996 Census Community Profiles and Census boundaries which are stored on the CD-ROM in an encrypted format, for use with your own tabulation or mapping software. In addition, reference data such as the *Census Dictionary*, and information about all 1996 Census products and how to order them are also provided.

Standard ABS software, CPROFILE, is provided unencrypted on the CD-ROM free of charge. This software enables you to manipulate, view, print and export the data. Alternatively, the statistical data can be exported for use with most PC-based spreadsheet packages. The boundary data is provided in MapInfo format which can be used with MapInfo or spreadsheet packages containing MapInfo-based software such as MapInfo Desktop or Excel 7. The boundary data contained in *Census KeyData* is at the 'shapes' level of detail (see the Digital Boundaries entry).

A specially priced subset of data, *Education Toolkit*, has



CDATA96

been made available exclusively for schools. It provides a subset of data for all States/Territories, inner city SLAs and Capital City Statistical Divisions.

Census KeyData contains:

- Basic Community Profile
- Indigenous Profile
- Time Series Profile
- Usual Residents Profile
- Expanded Community Profile
- Working Population Profile
- Estimated Resident Population
- Classification Counts
- Digital Boundaries (Shapes) of selected ASGC geography and Census Geographic Areas eg. Suburbs, Postal Areas and Indigenous areas
- 1996 Census Dictionary
- Directory of Census Statistics
- ABS Catalogue of Publications and Products
- Sample Data

Socio-Economic Indexes for Areas 96

Cat. No.:	2033.0 - 2033.8
Media:	CD-ROM
Price:	Australia - \$2,500 NSW, Vic, Qld - \$1,750 SA, WA - \$1,250 Tas, NT, ACT - \$1,000

Socio-Economic Indexes for Areas 96 are groupings that provide a comprehensive profile of the Australian people.

Using data from the 1996 Census of Population and Housing, five indexes have been constructed to summarise



the social and economic conditions of the Australian people by geographic area.

These five indexes are:

- Urban Index of Advantage;
- Rural Index of Advantage;
- Index of Disadvantage;
- Index of Economic Resources; and
- Index of Education and Occupation.

These indexes show where the affluent (as opposed to just high income earning) live; where the disadvantaged (as opposed to the unemployed) live; and where the highly skilled and educated (as opposed to the tertiary educated people) live.

Socio-Economic Indexes for Areas 96 provides information and rankings for a wide range of geographic areas from small areas such as a Collection District (approximately 225 households), Postal Areas, Local Government Areas, and Statistical Local Areas, to large areas such as Statistical Subdivisions. Alternatively, areas can be tailored to users' specifications.

Socio-Economic Indexes for Areas 96 is available as a stand alone product or as an add-on module for use with CDATA96.

Household Sample File

Cat. No.:	2037.0
Media:	CD-ROM
Price:	\$7,500.00

The 1996 Census Household Sample File (HSF) is a comprehensive unit record data file of Census characteristics, containing a one per cent sample of private households and associated families and persons, and a one per cent sample of persons in non-private dwellings. The HSF is produced for model testing and statistical analysis. It has been designed and produced after consultation with major users of census data. The structure of the file is similar to that of the 1991 HSF, though it has been modified according to users' preferences and ABS confidentiality requirements.

Most of the classificatory details available from the Census are available on the HSF, though some fields, such as birthplace, industry, occupation and qualification have been collapsed to less detailed levels. Information about sampling errors associated with statistics produced from the HSF is contained in technical documentation provided with the file.

The HSF is released under strict conditions and clients are required to sign an undertaking stating that the information will be used for statistical purposes only. This undertaking is subject to approval by the Australian Statistician before the HSF can be released.

Consultancy Services



Specialised information needs which cannot be met by standard ABS publications or products, can be provided through customised data services provided by ABS Consultancy Services.

ABS consultants are experts in putting information together to satisfy individual client's needs using the extensive range of data and services available through the ABS.

ABS Consultancy Services offers the following census-specific services:

Thematic Profile Service

Cat. No.:	2021.0
Media:	Hard Copy or Electronic
Price:	Varies according to profiles and areas selected

The *Thematic Profile Service* is a new service designed to provide more specific subject matter data on the Australian community than can be found in the standard Community Profiles. The Service provides pre-specified tables about the Australian population on the themes of family, youth, older persons and ethnicity.

- **Family Thematic Profile** - Examines issues such as living arrangements for children, family income, housing, transport, employment and mobility.
- **Young People Thematic Profile** - Provides information on people aged 12-25 years. The tables examine issues relevant to young people including

living arrangements, education, employment and mobility.

- **Older People Thematic Profile** - Examines the living arrangements of older people and their type of accommodation. As well, the tables provide information on income, employment, transport, ethnicity and mobility.
- **Ethnicity Thematic Profile** - Examines issues of relevance to Australia's ethnic population, such as education, employment and housing.

A template showing the tables which are available in each Thematic Profile is available from ABS Client Services. Contact details for Client Services can be found at the end of this Directory.

Data from any or all Thematic Profile tables can be provided for any geographic area that is an aggregation of Collection Districts. This includes ASGC areas, Census Geographic areas and areas as defined by users. Data from the *Indigenous and Expanded Community Profiles* are also available from this Service.

Customised Profiles Service

Media:	Hardcopy or Electronic
Price:	Varies according to profiles and areas selected

The *Customised Profiles Service* provides tailored Community Profiles. Clients are able to select tables from the *Community Profile Series* for

their own geographic areas of interest.

Profile data are available either in hard copy or electronic format. Customised Community Profile data in electronic format are provided with CPROFILE software which will allow the data to be selected, viewed or exported in formats suitable for input into a range of spreadsheets and databases.

Customised Tables Service

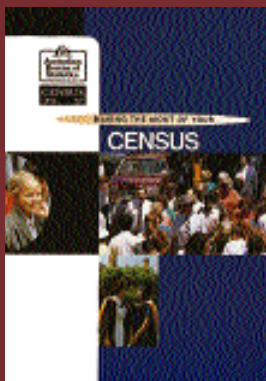
Media:	Hard Copy and Electronic
Price:	Varies according to the data selected

The *Customised Tables Service* provides cross classified tables tailored to a user's needs on a variety of media. Any combination of census variables for any geographic area can be selected. Customised tables are then provided in either hard copy or electronic format. Customised tables in electronic format are provided with enhanced manipulation software operating in a Windows environment.

Customised Geographic Data Reports

Media:	Hardcopy and Electronic
Price:	Varies according to data selected

The *Customised Geographic Data Reports* service provides information about the geographic areas for which census data are available.



ABS Consultancy Booklet

Three types of reports can be provided:

Direct queries

This report provides information about the characteristics of any number of user defined geographic areas.

Geographic conversions

This report provides listings of all geographic areas of a particular type that are contained within, or share common territory with, specified geographic areas of another type. For example, Statistical Local Areas contained within specified State Electoral Divisions.

Comparability listings

This report provides comparison of Collection Districts between Censuses (and therefore the data collected for those CDs). These listings will indicate the extent to which a Collection District boundary has changed between censuses back to the 1976 Census. Comparability listings are produced each census.

Customised Mapping Service

Media:	Hardcopy
Price:	Varies according to maps selected

Through the *Customised Mapping Service*, both Customised Thematic Maps and Customised Reference Maps can be purchased on request.

Customised Thematic Maps

Thematic Maps depict statistical data for areas as specified by the user in the form of maps.

Thematic Maps are available for all Australian Standard Geographic Classification and Census Geographic areas as well as user specified areas. These maps can incorporate statistical data from the census and from a range of other sources. Topographic data, such as roads, railway lines or features like hospitals, schools and towns, can be included in these maps.

Customised Reference Maps

Reference Maps show the boundaries of particular geographic regions, usually in the context of the topographic features that define them.

Reference Maps contain base map (topographic) data and boundaries for Australian Standard Geographic Classification and Census Geographic areas as well as user specified areas.

Data Analysis - Specialised

Media:	Hard Copy and Electronic
Price:	Varies according to analyses requested

Standard and customised census tables provide researchers and analysts with valuable insights into various social and demographic aspects of the Australian community. However mathematical, statistical and econometric techniques can provide additional insights to improve our understanding of the population.

Statistical Consultancy

The ABS offers a Statistical Consultancy Service provided by consultants with high level skills in mathematical, statistical and econometric techniques, as well as having wide experience in understanding client needs and tailoring analytical procedures to meet those needs. This enables researchers and analysts of all levels of mathematical skills to access the insights that these techniques can give to census data.

Census Data Items



Topic Index

TOPIC	MNEMONIC	CLASSIFICATIONS
Aboriginal/ Torres Strait Islander	ABLP	Aboriginal and/or Torres Strait Islander origin
Age	AGEP ALSP	Age Age left school
Ancestry		See Ethnicity
Bedrooms	BEDD	Number of bedrooms in private dwelling
Birthplace	BFPF BPLP BPMP	Birthplace of mother (female parent) Birthplace of individual Birthplace of father (male parent)
Caravans	DLOD DWTD STRD	Dwelling location Dwelling type Dwelling structure
Children	CDCAF CDSAF CNDAF CTPP RLHP STUP TISP	Count of dependent children under 15 temporarily absent Count of dependent students (15-24) temporarily absent Count of non-dependent children temporarily absent Child type Relationship in household Full/part-time student Number of children ever born
Citizenship	NATP YARP	Australian citizenship Year of arrival in Australia
Dwelling	BEDD DLOD DWTD FUFU HLRD HLRD01 LLDD NPDD RNTD RNTD01 STRD TEND	Number of bedrooms in private dwelling Dwelling location Dwelling type Furnished/unfurnished Housing loan repayment (monthly) dollar values Housing loan repayment (monthly) ranges Landlord type Type of non-private dwelling Rent (weekly) Rent (weekly) ranges Dwelling structure Tenure type
Employment		See Labour Force
Education	ALSP QALFP QALLP QALYP STUP TYPP	Age left school Post-school educational qualification: field of study Post-school educational qualification: highest level Post-school educational qualification: year completed Full/part-time student Type of educational institution attending
Ethnicity	ABLP BFPF BPLP BPMP ENGP	Aboriginal and/or Torres Strait Islander origin Birthplace of mother (female parent) Birthplace of individual Birthplace of father (male parent) Proficiency in English

	ENGP01 LANP RELP YARP	Proficiency in English/language Language spoken at home Religion Year of arrival in Australia
Family	CDCAF CDSAF CNDAF CPAF CTPP FIDF FMTF FNOF FRLF HHTD MDCP MSTP RPIP RLHP SPLF	Count of dependent children under 15 temporarily absent Count of dependent students (15-25) temporarily absent Count of non-dependent children temporarily absent Count of persons temporarily absent from family Child type Family income derivation indicator Family type Family number Relationship between families Household type Social marital status Registered marital status Family/household reference person indicator Relationship in household Location of spouse
Father	BPMP	Birthplace of father (male parent)
Female	BPFP SEXP	Birthplace of mother (female parent) Sex
Geographic areas		See Usual residence
Group households	CPAD HHTD RLHP	Count of persons temporarily absent from household Household type Relationship in household
Hours worked	HRSP	Hours worked See also Labour force
Household	DWTD CPAD HHTD HIDD HIND RPIP MV1D MV5D RLHP	Dwelling type Count of persons temporarily absent from household Household type Household income derivation indicator Household income Family/household reference person indicator Household one year mobility indicator Household five year mobility indicator Relationship in household
Housing costs	HLRD RNTD	Housing loan repayment (monthly) Rent (weekly)
Housing loan repayments		See Housing costs
Immigration	BPFP BPLP BPMP ENGP ENGP01 LANP YARP	Birthplace of mother (female parent) Birthplace of individual Birthplace of father (male parent) Proficiency in English Proficiency in English/Language Language spoken at home Year of arrival in Australia
Income	FIDF FINF HIDD HIND INCP	Family income derivation indicator Family income Household income derivation indicator Household income Individual income

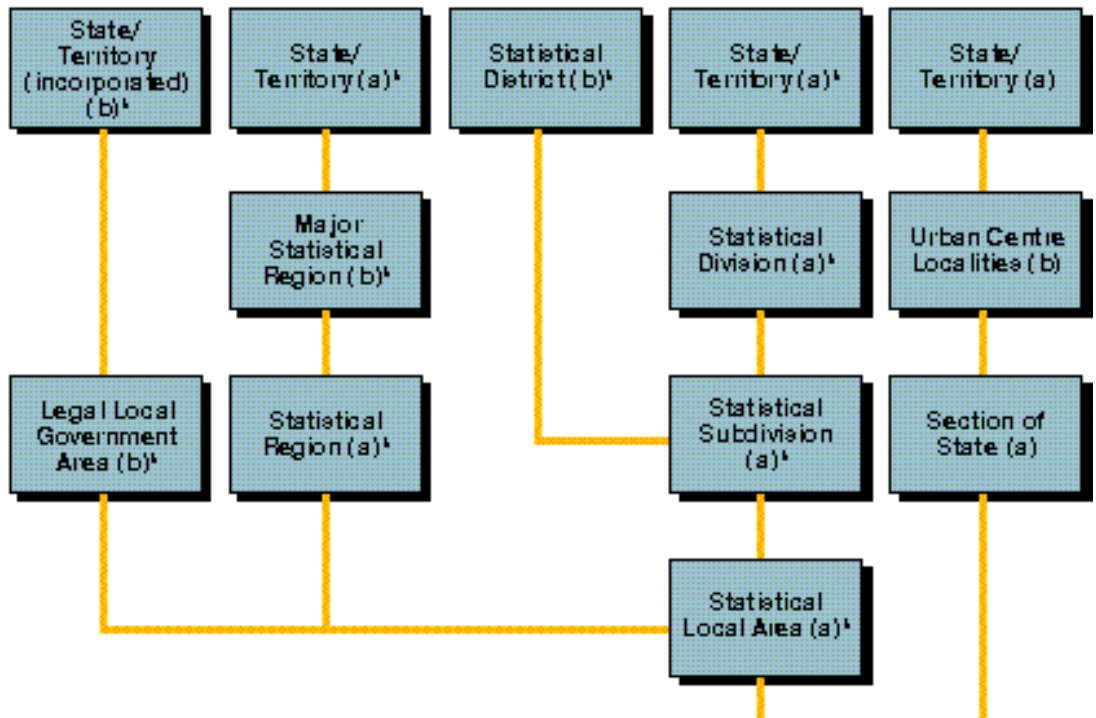
Industry	GNGP INDP	Industry sector Industry
Internal migration	MV1D MV5D SLAUCP SLAU1P SLAU5P STEUCP STEU1P STEU5P	Household one year mobility indicator Household five year mobility indicator Statistical Local Area (SLA) of usual residence census night Statistical Local Area (SLA) of usual residence one year ago Statistical Local Area (SLA) of usual residence five years ago State of usual residence census night State of usual residence one year ago State of usual residence five years ago
Journey to work	DZNP DZSP TPTP	Work destination zone Work destination study area Method of travel to work
Labour force	DZNP DZSP FIDF FINF GNGP HIDD HIND HRSP INCP INDP LFSP OCCP TPTP	Work destination zone Work destination study area Family income derivation indicator Family income Industry sector Household income Household income derivation indicator Hours worked Individual income Industry Labour force status/Status in employment Occupation Method of travel to work
Landlord		See Dwelling
Language	ENGP ENGP01 LANP	Proficiency in English Proficiency in English/language Language spoken at home
Lone person	HHTD RLHP	Household type Relationship in household
Male	BPMP SEXP	Birthplace of father (male parent) Sex
Marital status	MDCP MSTP SPLF	Social marital status Registered marital status Location of spouse
Method of travel to work		See Journey to work
Mortgage		See Housing costs
Mother	BFPF	Birthplace of mother (female parent)
Motor vehicles	VEHD	Number of motor vehicles
Non-private dwelling	DWTD NPDD RLNP	Dwelling type Type of non-private dwelling Relationship in non-private dwelling
Occupation	OCCP	Occupation
Overseas visitors		Note: Only Age (AGEP), Sex (SEXP) and Registered marital status (MSTP) are collected for overseas visitors.
Postal area	POCUCP	Postal area of usual address on census night

Qualifications	QALFP QALLP QALYP TYPP	Post-school educational qualification: field of study Post-school educational qualification: highest level Post-school educational qualification: year completed Type of educational institution attending
Relationship	FRLF MDCP MSTP RLHP RLNP	Relationship between families Social marital status Registered marital status Relationship in household Relationship in non-private dwelling
Religion	RELP	Religion
Rent		See Housing costs
Sex	SEXP	Sex See Female and Male
State	STEUCP STEUIP STEU5P	State of usual residence census night State of usual residence one year ago State of usual residence five years ago
Statistical Local Area (SLA)	SLAUCP SLAU1P SLAU5P	Statistical Local Area (SLA) of usual residence census night Statistical Local Area (SLA) of usual residence one year ago Statistical Local Area (SLA) of usual residence five years ago
Structure	STRD	Dwelling structure See Dwelling, Family and Household
Student	ALSP QALFP QALLP QALYP STUP TYPP	Age left school Post-school educational qualification: field of study Post-school educational qualification: highest level Post-school educational qualification: year completed Full/part-time student Type of educational institution attending
Temporary absentees	CPAD CPAF CDCAF CDSAF CNDAF SPLF	Number of persons temporarily absent from household Count of persons temporarily absent from family Count of dependent children under 15 temporarily absent Count of dependent students (15-24) temporarily absent Count of non-dependent children temporarily absent Location of spouse
Torres Strait Islander	ABLP	Aboriginal and/or Torres Strait Islander origin
Usual Residence	SLAUCP SLAU1P SLAU5P STEUCP STEUIP STEU5P UAICP UAI1P UAI5P YARP	Statistical Local Area (SLA) of usual residence census night Statistical Local Area (SLA) of usual residence one year ago Statistical Local Area (SLA) of usual residence five years ago State of usual residence census night State of usual residence one year ago State of usual residence five years ago Usual address indicator Usual address one year ago indicator Usual address five years ago indicator Year of arrival in Australia
Vehicles		See Motor vehicles
Visitors	HHTD RLHP	Household type Relationship in household See Usual Residence
Work destination zone		See Journey to work
Year of arrival	YARP	Year of arrival in Australia

1996 Census Geographic Structure

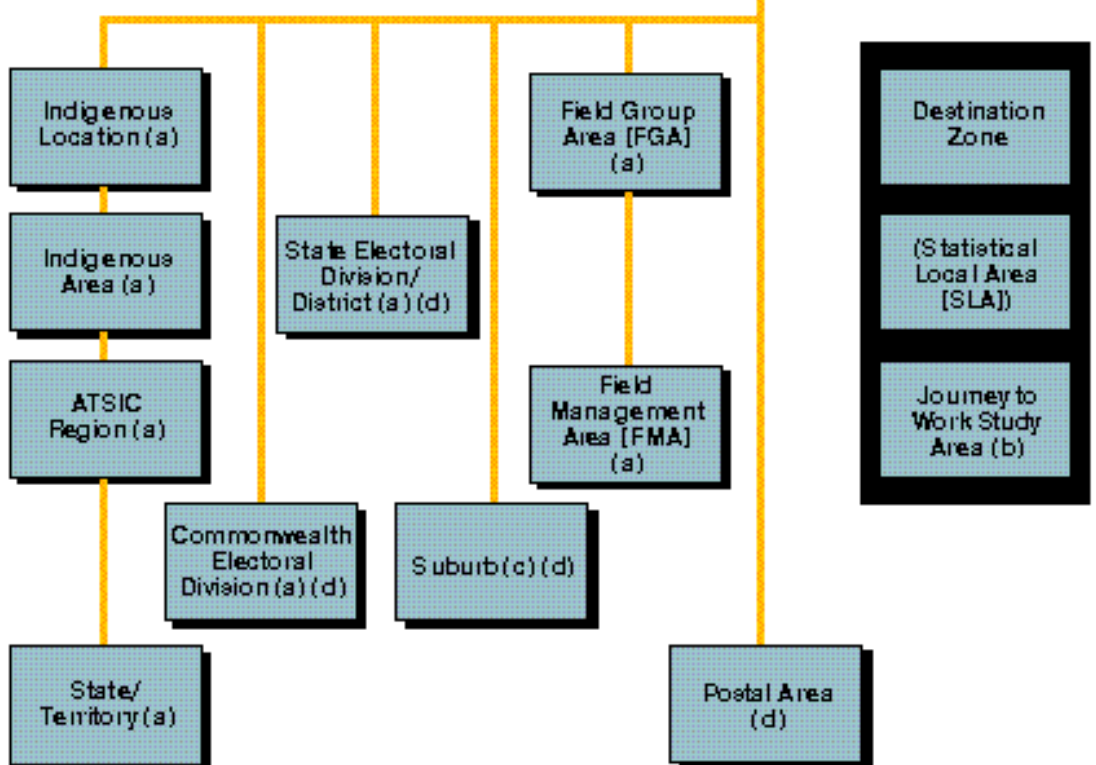


ASGC Areas



Census Collection District (a)

Other Areas



Note: (a) Covers all of Australia. (b) Does not cover all of Australia. (c) Only utilised by specific States. (d) Approximations created by aggregating CDs. (*) Usual residence data is available at SLA level, for aggregations of SLAs.

Uses of Census Data



A wide variety of uses

The basis of other ABS statistics Census data form the basis of many of the ABS' most widely used products and services. One is the official population estimates which are updated each quarter. Census data are also used in compiling the monthly employment and unemployment statistics and the national accounts.

The number of people in each area collected in the census is also used in the framework for selecting the samples used in ABS household surveys.

Public inquiries The ABS itself has had over 500,000 requests for data from the 1996 Census. In addition there are many inquiries made to libraries and other organisations which disseminate census data.

Allocation of funds and Federal seats The official population estimates are used to allocate Commonwealth funds to State and Local governments, and to determine the number of seats each State and Territory has in the House of Representatives.

Planning and administration The census also provides the characteristics of the population and its housing for small areas and for small population groups to support the planning, administration and policy development activities of governments, business and other users.

For instance

These characteristics have been used to study the social and economic circumstances of particular population groups, for example, the localities where people who were born overseas were living at census time, the employment status of these people, the main occupations and industries they work in and their educational qualifications. As another example, those planning transport facilities have used census data to study the main flows of people within a city and the methods people use to get to work, relating these data to average income levels and the availability of motor vehicles in households.

While some of this information is available from other sources, only a census can provide the information for the country as a whole and for small geographic areas and small population groups. Census data play an important role in many decisions affecting public expenditure. For example, the Department of Employment, Education, Training and Youth Affairs has said it uses census data on occupation, industry, qualification and journey to work to:

- develop local area profiles for use in targeting labour market programs and improving client services;
- guide the allocation of vocational education and training, higher education and school resources;

- advise the Department of Immigration and Multicultural Affairs on targeting of skilled migration; and
- monitor Aboriginal and Torres Strait Islander, migrant and women's participation and equity in the labour market as a basis for program targeting and policy development.

Some practical examples

To give an idea of the uses to which census data can be put, here are some of the ways in which they have been used in the past, both commercially and for community projects.

Breast cancer clinics

Objective: To select the best areas to establish breast cancer screening clinics.

Data use: Census data were used to identify and map the target population for breast cancer clinics for an area health service in a large city. Maps were created in which information on women aged between 50 and 69 years were displayed according to their postcode, and major shopping centres, main roads and public transport routes were added to the maps to indicate whether the proposed clinic sites were easily accessible.

Result: The areas most in need of new breast cancer clinics were identified, as were indicators of ease of access to the proposed clinics.

Recreation and public transport facilities

Objective: A local government council wanted to look at the impact of high density rental accommodation on the demand for recreational and transport facilities.

Data use: The council, using census dwelling data, mapped areas of Housing Commission rented dwellings together with population density. By identifying areas with significant proportions of high density rented Housing Commission properties and the population within those areas, the town planner could determine if the recreational and public transport facilities were adequate.

Result: The council could plan more effectively for present and future needs for recreational and public transport facilities.

Charity organisation

Objective: A charity needed to plan effective door-knock appeals, by targeting the best areas to approach.

Data use: By reviewing past campaigns, the charity knew that certain family types above a particular income level were more likely to donate. Using census data, the charity selected areas with the highest density of that family type and with a high proportion of that income level. They planned door-knock appeals in those areas, and used cheaper, less time-consuming methods of collection, such as letterbox drops, in other areas.

Result: The charity was able to target its donors more accurately, raising a higher rate of donation for each collector.

Homes for the aged **Objective:** A church welfare group wanted to select the area most in need of homes and care for the aged.

Data use: The ABS was able to provide the group with census data on age, income, and home ownership for the different areas they were looking at as possible locations.

Result: The group was able to assist the aged who were most in need of homes and care.

Broadcasting company **Objective:** The company wanted to know if they were broadcasting the right type of non-English programs for the people living in their region.

Data use: They received census data for the region showing where people had been born and what languages they were speaking at home.

Result: The broadcasting company was able to better meet the needs of the non-English speaking residents in their area.

Government child care **Objective:** The Department of Human Services and Health wished to allocate funding for existing child care centres.

Data use: They received census data on the number of children, by age, for the locations of the centres.

Result: The funding was allocated based on the number of children in each centre's catchment area.

Fast food company **Objective:** The company wished to expand and wanted to select the best area in which to locate a new outlet.

Data use: The company gave the ABS the age range they wished to target along with the general area in which they wished to locate the store. Census data showed the company where the greatest concentration of the population in the target age range lived with in the proposed area.

Result: The company was able to settle on which site to locate their new store.

Content of Census from 1911 to 1996



Asterisks are used to indicate the year in which particular topics were included in the census. The numbers in brackets refer to explanatory notes at the bottom of the table.

TOPICS	1911	1921	1933	1947	1954	1961	1966	1971	1976	1981	1986	1991	1996
Name	*	*	*	*	*	*	*	*	*	*	*	*	*
Age	*	*	*	*	*	*	*	*	*	*	*	*	*
Sex	*	*	*	*	*	*	*	*	*	*	*	*	*
Marital Status	*	*	*	*	*	*	*	*	*	*	*	*	*
Relationship (family structure)	*	*	*	*	*	*	*	*	*(1)	*(2)	*(3)	*	*
Duration of existing marriage	*	*	*	*	*	*	*	*	*	*	*(4)		
Duration of widowhood								*					
Married more than once										*	*		
Issue													
- existing marriage	*	*		*	*	*	*	*	*				
- previous marriage	*	*											
- all marriages								*	*				
- 'ever had'										*	*		*
Number of dependent children		*	*	*									
Orphanhood		*											
Birthplace	*	*	*	*	*	*	*	*	*	*	*	*	*
Birthplace of parents		*						*	*	*	*	*	*
Year of arrival (period of residence in Australia)	*	*	*	*	*	*	*	*	*	*	*	*	*
Citizenship	*	*	*	*	*	*	*	*	*(5)	*(5)	*(6)	*	*
Aboriginal/Torres Strait Islander origin (Race)	*	*	*	*	*	*	*(7)	*(8)	*(8)	*	*	*	*
Ethnic Origin											*(9)		
Number of usual Residents		*											
Usual residence at census time						*(10)		*	*	*	*	*	*
Internal migration usual residence													
- 1 year ago									*	*	*	*(11)	*
- 5 years ago								*	*	*	*	*	*
Number of overseas residents or visitors								*	*				
Blindness, deaf-mutism	*	*	*										
Handicaps									*				

TOPICS continued	1911	1921	1933	1947	1954	1961	1966	1971	1976	1981	1986	1991	1996
Language use		*(12)	*(13)						*(14)	*(15)	*(16)	*	*
Religion	*	*	*	*	*	*	*	*	*	*	*	*	*
Education													
- highest level attained	*(17)						*	*					
- current schooling	*	*	*	*	*	*	*	*	*(18)	*	*	*	*
- age left school									*	*	*	*	*
Educational qualifications							*	*(19)	*	*	*	*	*
Holidays									*				
Child care									*				
War service			*										
Income			*						*	*	*	*	*
Life assurance									*				
Labour force (occupational status)	*	*	*	*	*	*	*	*	*	*(20)	*	*	*
- unemployment duration	*	*	*	*	*	*							
- unemployment cause		*	*	*	*	*							
Occupation	*	*	*	*	*	*	*	*	*	*	*(21)	*	*
Industry (22)	*(23)	*	*	*	*	*	*	*	*	*	*	*	*
Hours worked							*	*(24)	*	*(25)	*(25)	*(25)	*(24)
Journey to work								*(26)	*	*	*	*	*
Mode of travel to work									*	*	*	*	*
Motor bike licences									*				
Motor vehicle licences									*				
Type of benefits received									*				
Retirement benefits scheme									*				
Household address on census night	*	*	*	*	*	*	*	*	*	*	*	*	*
No. of bedrooms									*	*	*	*	*
No. of rooms	*	*	*	*	*	*	*	*	*	*	*(27)		
Tenure (nature of occupancy)	*	*	*	*	*	*	*	*(28)	*(29)	*(29)	*(29)	*(29)	*(28)
Type of landlord					*(30)	*(30)	*(31)	*(32)	*	*	*	*	*(33)
Rent	*	*	*	*	*	*	*	*	*	*	*	*	*
Loan repayment									*(34)	*(35)	*(36)	*(35)	*(37)
No. of vehicles							*	*	*	*	*	*	*
Private dwelling classification (type of dwelling structure)	*	*	*	*	*	*	*	*	*(38)	*	*	*	*

TOPICS continued	1911	1921	1933	1947	1954	1961	1966	1971	1976	1981	1986	1991	1996
Non-private dwelling (classification)	*	*	*	*	*	*	*	*	*	*	*	*	*
Other dwelling (classification)													*(39)
Material of walls	*	*	*	*	*	*	*	*	*	*(40)			
Material of roof		*		*									
Date of building				*	*	*	*	*	*				
Facilities													
- gas				*	*	*	*	*	*(41)				
- electricity				*	*	*	*	*	*(41)				
- water supply				*					*(41)				
- toilet				*									
- bathroom				*	*	*	*	*					
- kitchen					*	*	*	*					
- television						*	*	*					
- cooking				*									
Sleeping out			*	*									
Farm dwelling					*	*	*	*	*				
Method of sewage disposal								*	*				
No. of extra homes owned or being purchased								*					
Reason dwelling unoccupied							*(42)	*	*	*	*		

Notes:

- (1) Prior to and including 1976, the term *relationship* to head was used.
- (2) The term head was considered inappropriate and *relationship to Person 1* was asked.
- (3) Since 1986 *relationship to Person 1/Person 2* has been asked.
- (4) Year of *first* marriage was used.
- (5) Prior to 1976, *nationality* rather than *citizenship* was asked.
- (6) Since 1986 the person has been asked whether or not they were an Australian citizen.
- (7) In all censuses prior to 1971, respondents were required to state their race and, where race was mixed, to specify the proportion of each.
- (8) In the 1971 and 1976 Censuses, a question with response categories of European, Aboriginal, Torres Strait Islander and Other was included.
- (9) A question on each person's ancestry was asked for the first time in 1986.
- (10) The 1961 Census asked for *state of usual residence*.
- (11) State level only.
- (12) Question asked whether the person could read and write.
- (13) Question asked whether the person could read and write a foreign language if unable to read and write English.

- (14) The 1976 Census asked for *all languages regularly used*.
- (15) In 1981 ability to speak English was asked.
- (16) Since 1986 two separate questions have been asked - language used and ability to speak English.
- (17) Included a question where respondents reported their highest level of educational achievement.
- (18) Since 1976, a question on *attendance at school or other educational institution* has been asked.
- (19) Since 1971, people aged 15 or more have been asked whether they had obtained a qualification. If so, information on the name of highest qualification obtained, field of study, the name of institution and the year obtained was collected.
- (20) In the Censuses from 1981 to 1996, respondents have been required to answer a series of questions from which labour force status was coded.
- (21) An additional question, *main tasks or duties performed in the occupation*, has been asked from 1986 to 1996.
- (22) Place of work was first collected in 1954.
- (23) *Employer's occupation* was asked in 1911 and 1921.
- (24) 1971, 1976 and 1996 Censuses focused on hours worked in *all jobs* held in the week prior to the census.
- (25) The 1981, 1986 and 1991 Censuses asked for hours worked in the *main* job in the week prior to the census.
- (26) Journey to work topic has been derived from coding of address of usual residence and address of workplace to obtain origins and destinations of travel to work.
- (27) Data was collected but not processed.
- (28) From 1911 to 1971, and in 1996, a direct question on nature of occupancy was asked.
- (29) From 1976 to 1991, nature of occupancy data was derived from mortgage and rent questions.
- (30) If paying rent to a Government Authority in 1954 or a State Housing Authority in 1961, respondents were instructed to write 'Tenant (G)'.
- (31) Tenants in 1966 had the option of marking the relevant State Housing Authority or 'other landlord'.
- (32) In 1971, response categories comprised State Housing Authority, employer or other landlord.
- (33) The number of landlord response categories rose from three (from 1971 until 1991) to seven in 1996.
- (34) In 1976 the monthly payment made on first and second mortgages was asked.
- (35) Average monthly payment for total mortgages was asked.
- (36) Monthly payment made on the loans for the dwelling was asked.
- (37) Those with mortgage repayments had the option of writing the weekly, fortnightly or monthly amount paid.
- (38) This question has been completed by the Census Collector since 1976.
- (39) In 1996 a new classification was developed for Other Dwellings. It included caravans in caravan parks, boats in marinas, manufactured home estates and self-care units in accommodation for the retired or aged, all of which were enumerated using household forms. However in 1986 and 1991, caravans in caravan parks and boats in marinas were included in the Non-Private Dwelling classification.
- (40) The question was answered by the Census Collector in 1981.
- (41) In 1976, type of fuel or power used for household purposes was asked.
- (42) Completed by the Collector in the Censuses from 1971 to 1986.

Common Census Terms



Population Counts

Place of Enumeration

The census is conducted on the basis of counting people where they are on census night to provide a “snapshot” of the population. Data on the basis of place of enumeration are available at the Collection District Level and for all Australian Standard Geographic Classification and Census Geographic areas. Most census data are published on the basis of place of enumeration.

Place of Usual Residence

Not all people are at home on census night; they may be in a motel or at a friend’s place and not all people enumerated in the census usually live in Australia. Question 7 on the 1996 Census form asked for the address of each person’s place of usual residence. This allows statistics to be compiled based on people’s place of usual residence. Place of usual residence data are only available for Statistical Local Areas (SLAs), any aggregations of SLAs and Postal Areas.

Estimated Resident Population

Estimated Resident Population (ERP) is the official ABS estimate of the Australian population. The ERP is based on the results of the census and is compiled for each census and updated quarterly between censuses. The ERP is calculated by applying the following adjustments to the usual residence census counts:

- include Australian residents who were temporarily absent overseas on census night;
- adjust the census counts for undercounting using results of the Post Enumeration Survey; and
- backcast the resulting estimates which relate to 6 August 1996 to 30 June 1996 using births, deaths and migration data.

Undercounting

All census counts refer only to people whom census collectors have been able to enumerate on census night. However, a very small number of people and dwellings would have been missed and some might have been counted more than once. The term undercounting or under-enumeration refers to this.

Geography

Geographic Areas

The geographic areas used for the collection and dissemination of census data are divided into two types: Australian Standard Geographical Classification (ASGC) and Census Geographic Areas. Census data are collected for small areas called Collection Districts. This Collection District base allows the aggregation of data into larger areas, for example, Statistical Local Areas and Electoral Divisions. More information on geographic areas can be found in *Statistical Geography* (ABS Catalogue Nos 1216.0, 2905.0 and 2909.0).

Australian Standard Geographic Classification

The Australian Standard Geographical Classification (ASGC) is a hierarchically structured classification used by the ABS for the classification of spatial units by geographic areas within Australia.

The ASGC areas used for census purposes are:

<i>Collection District</i>	CD
<i>Statistical Local Area</i>	SLA
<i>Local Government Area</i>	LGA
<i>Statistical Subdivision</i>	SSD
<i>Statistical Division</i>	SD
<i>Statistical District</i>	SDIST
<i>Statistical Region</i>	SR
<i>Major Statistical Region</i>	MSR
<i>Urban Centre/Locality</i>	UC/L
<i>Section of State</i>	SOS
<i>State/Territory</i>	S/T

There is a separate entry in this list of common census terms defining some of these geographic areas.

Census Geographic Areas

Census Geographic areas are generally aggregations of Collection Districts (CDs) which best fit the original area. These CD-derived areas do not necessarily match exactly with the original area. The Population Census is the only ABS collection which provides data for most of these areas:

- Commonwealth Electoral Division (CED);
- State Electoral Division (SED);
- Postal Areas (POC);
- Suburb (SSC);
- ATSI Region; and
- Indigenous Locations and Indigenous Areas.

Collection District (CD)

The Collection District has been designed for use in the Census of Population and Housing as the smallest unit for collection, processing and output of data and on average contains about 225 dwellings. Collection Districts also serve as the basic building block in the ASGC and are used for the aggregation of statistics to larger ASGC areas and Census Geographic Areas such as Commonwealth and State Electoral Divisions.

Postal Area (previously Collection District Derived Postcodes)

Postal Areas are approximations of Australia Post Postcodes and are created by allocating Collection Districts (CDs) to existing postcodes on a best fit basis. A Postal Area boundary is then created to encompass all of the allocated CDs and the data for the CDs are aggregated to form Postal Area data.

Electoral Divisions (State and Commonwealth)

Electoral Divisions are Census Geographic Areas. They are approximated by aggregating the data for Collection Districts which lie wholly or partly within the Electoral Division. Note: Due to copyright issues,

State Electoral Divisions for Western Australia are not available.

Local Government Area (LGA)

The Local Government Area (LGA) is a geographic area under the responsibility of an incorporated local government council. The LGAs in Australia collectively cover only a part of Australia. The major areas not covered by LGAs are the large northern parts of South Australia, almost all of the Northern Territory and all of the Australian Capital Territory.

The number of LGAs and their boundaries can change over time. The LGAs applicable to the 1996 Census output are those which existed at 1 July 1996. Their creation and delimitation is the responsibility of the respective State Governments, and are governed by the provisions of State local government acts.

Statistical Local Area (SLA)

Statistical Local Areas are areas defined in the ASGC which consist of one or more Collection Districts. They can be based on Local Government Areas, or parts thereof, or any unincorporated area. They cover, in aggregate, the whole of Australia without gaps or overlaps.

Statistical Division (SD)

Statistical Divisions are areas defined in the ASGC which consist of one or more Statistical Subdivisions and cover, in aggregate, the whole of Australia without gaps or overlaps. They do not cross State or Territory boundaries and are the largest statistical area building blocks of States and Territories.

SDs are used as large, general purpose regional type geographic areas.

Urban Centre/Locality (UC/L)

An urban centre is a population cluster of 1,000 or more people. A locality is a population cluster of between 200 to 999 people. People living in urban centres are classified as urban for statistical purposes while those in localities are classified as rural. Each urban centre and/or locality (UC/L) is bounded (i.e. a boundary for it is clearly defined) and composed of one or more whole collection district.

UC/Ls are defined for each census and are current for the date of the census. The criteria for bounding UC/Ls are based on the Linge methodology.

For Further Information About Census and Other ABS Products and Services

Further information about ABS products and services, including census products can be obtained by contacting ABS consultancy staff by phone, fax, letter, or through the Internet. ABS consultants are trained to help with all information needs. The phone numbers for ABS Client Services are listed on the back page of this Directory.

Census products featured in this directory can be ordered using the order form on page 29.

Other Directories

The ABS has a wide range of demographic, social, economic and business information.

The *Catalogue of Publications and Products* (ABS Catalogue No. 1101.0) is available in hard copy for \$6.00 or for free on Windows compatible disk.

Publications to be Released, A Guide to ABS Subscribers (ABS Catalogue No. 1109.0), provides up to date information on ABS releases and can be obtained free of charge by calling 1300 366 323 or by fax (03) 9615 7848.

What Figures

To find out about our new and recent releases, you need *What Figures*. *What Figures* is a free magazine that keeps you up to date with information about available ABS products and services. Call 1800 655 436 for your free subscription.



Keep in touch with the Census... with Census Update

Census Update is a free newsletter which provides up to date information on census developments. It details new census and other ABS products and services, forthcoming seminars, and provides case studies of how census and other ABS data is being used by the commercial sector, government bodies and community organisations.

Census Update can be ordered by contacting the Census Marketing unit on 1800 813 939 or fax (02) 6252 8009.

Internet

There is also some information on the Internet about many of the products listed in this publication. The ABS Home Page is located at: <http://www.abs.gov.au>

Subscription Service

ABS Subscription Service enables an order to be placed for any ABS publication in advance.

The Service provides regular, convenient and prompt delivery of ABS publications and products as they are released.

The price is guaranteed for 12 months and the publication is dispatched on the day of release, postage free. If you would like more information on how to become a subscriber, call 1300 366 323.



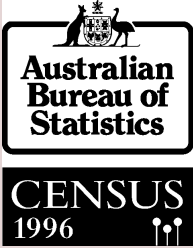
Pricing Disclaimer

All prices included in this catalogue are correct at the time of printing and are for individual copies and may be subject to revision.

Copyright

All ABS products are copyright and covered by the provisions of the Commonwealth Copyright Act 1968. They are provided to clients for their own use and not for resale or further distribution except by prior written agreement.

How to Order



ABS BOOKSHOP ORDER FORM

Fill in the order form and return it one of three ways:

- Reply Paid 4
ABS Marketing
PO Box 10
Belconnen ACT 2616
(No postage stamp required if posted within Australia)
- Drop into the ABS office in your state.
- Facsimile (02) 6252 8009

Please list products required:

Prices include domestic postage and handling. The latest issue available will be supplied.

Catalogue No.	Title	No. of copies	Cost \$
Total \$			

Please provide payment details:

Cheques or money orders should be made payable to the Australian Bureau of Statistics.

Bankcard Mastercard Visa Amex

Card Number: Expiry date: /

Cardholders' Name: _____

Cardholders' Signature: _____

Name: _____ Position: _____

Organisation: _____

Address: _____

State: _____ Postcode: _____

Phone No: _____ Fax No: _____

Please add my name to the *Census Update* mailing list

Please add my name to the *What Figures* mailing list

Subscription Service

If you wish to subscribe to any or all of the above products or would like to receive a list of publications to be released next year, please phone 1300 366 323.



Contact your ABS office listed below for further information about the full range of ABS products and services.

New South Wales

Level 5
St Andrews House
Sydney Square
Sydney 2000
GPO Box 796
Sydney 2001
Inquiries (02) 9268 4611
Fax (02) 9268 4668

Victoria

5th Floor
Commercial Union Tower
485 La Trobe Street
Melbourne 3000
GPO Box 2796Y
Melbourne 3001
Inquiries (03) 9615 7755
Fax (03) 9615 7798

Queensland

18th Floor
313 Adelaide Street
Brisbane 4000
GPO Box 9817
Brisbane 4001
Inquiries (07) 3222 6351
Fax (07) 3229 6283

Western Australia

Level 16
Exchange Plaza
2 The Esplanade
Perth WA 6000
GPO Box K881
Perth WA 6001
Inquiries (08) 9360 5140
Fax (08) 9360 5955

South Australia

7th Floor
Commonwealth Centre
55 Currie Street
Adelaide 5000
GPO Box 2272
Adelaide 5001
Inquiries (08) 8237 7400
Fax (08) 8237 7566

Northern Territory

5th Floor AANT Building
81 Smith Street
Darwin 0800
GPO Box 3796
Darwin 0801
Inquiries (08) 8943 2111
Fax (08) 8981 1218

Tasmania

200 Collins Street
Hobart 7000
GPO Box 66A
Hobart 7001
Inquiries (03) 6222 5800
Fax (03) 6222 5995

Australian Capital Territory

9th Floor
FAI House
197 London Circuit
Canberra City 2601
PO Box 10
Belconnen ACT 2616
Inquiries (02) 6252 6627
Fax (02) 6207 0282

Subscription Free Call
1300 366 323

Internet address

<http://www.abs.gov.au>

Dial-a-Statistic
1900 986 400

Steadycom P/L Premium 25c/21.4 secs.



2291000013963
ISBN 0 642 54214 7

Free Issue